

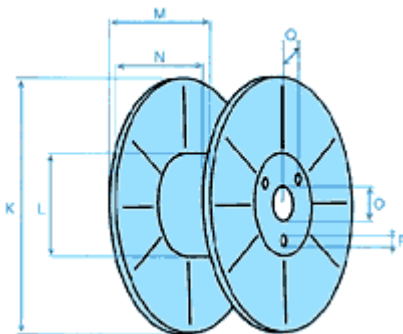
1 Steel Cord

1.1 Packing

1.1.1 Spools

Tyre cord is wound on metal spools

Type		BS40	BS60	BS80/17	BS80/33
K	Diameter of flange (mm)	255	255	255	255
L	Diameter of barrel (mm)	117	117	117	117
M	Overall width (mm)	167	167	329	329
N	Traverse (mm)	153	153	315	315
O	Bore diameter (mm)	17	33	17	33
P	Number x diameter of drivehole (mm)	3x13	3x13	3x13	3x13
Q	Distance drivehole/bore (mm)	38	43	2/39+1/43	43
	Approx. mass (kg)	1.95	1.90	2.40	2.50
	Approx. cord capacity (kg)	18	18	36	36

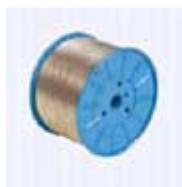


NOTE

The arrow on the flange indicates the direction for unwinding the spool.



BS40



BS60



BS80/17



BS80/33

1.1.2 Cartons

The tyre cord spools are packed in a waterproof carton strapped to a pallet in units of approximately 1300 kg net mass. The pallet is made of wood or plastic.

Type of spools	Composition	Number of spools	Approx. tare (kg)	<i>DIMENSIONS:</i> length: 1080 mm width: 810 mm height: 1200 mm
BS40	4x3x6	72	157	
BS60	4x3x6	72	161	
BS80/17 - BS80/33	4x3x3	36	113	

(without pallet)

HANDSAMPLES

Carefully packed handsamples of tyre cord can be attached to the corresponding unit.

STORAGE CONDITIONS

All units are provided with desiccant and a humidity indicator. Cartons can be stored for six months inside a warehouse where the combination of temperature and humidity does not lead to condensation. It is recommended to condition the units at ambient temperature before they are opened.



ORDERING PROCEDURE

Inquiries or orders of tyre cord must specify:

- tyre cord construction
- type of coating
- type of spool
- total quantity

RETURN OF PACKING

All packing materials are to be returned to the Bekaert plant of origin.



100 empty BS40 spools per box



60 empty BS80 spools per box



Plastic separators must be returned in a different box