



3D
Dramix®

80 / 30 GGP

Aspect ratio

Length

Galvanized

Glued

Premium



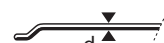
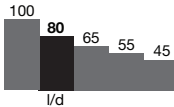
DATASHEET

Characteristics

Material properties

Nom. tensile strength: 445.265856 ksi (3070 MPa)
 Young's modulus: 29000 ksi (200000 MPa)
 Strain at ultimate strength: 0.8 %

Geometry

Fiber family **3D** 
 Length (l) 1.1811 in. (30 mm) 
 Diameter (d) 0.014961 in. (0.38 mm) 
 Aspect ratio (l/d) 80 

Minimum EN 14889-1 dosage

42 lb/yd³ (25 kg/m³)

Fiber network

70344 ft/yd³ at 42 lb/yd³ (28045) m/m³ at 25 kg/m³
 16205 fibers/lb (35726 fibers/kg)

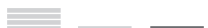
Dramix® family

3D Typical SFRC applications
 4D Supreme serviceability control
 5D Advanced structural applications

Tensile strength

5D 4D 3D

Wire ductility



Anchorage strength



Product certificates *



* Product certificates are plant specific.

Product conformity

Dramix® conforms to ASTM A820, EN 14889-1 and ISO 13270 Class A.

System certificates



All Dramix® plants are ISO 9001 and ISO 14001 certified.

Packaging



BAGS
44 lb (20 kg)



BIG BAG
2,420 lb (1,100 kg)

Handling



DRAMIX® 3D 80/30GGP

The original anchorage

Dramix® 3D is the cost-efficient fiber for standard statically indeterminate concrete structures that are submitted to regular static, fatigue and dynamic loadings.

Glue technology for three-dimensional reinforcement

Dramix® steel fibers are bundled with water-soluble glue. The glue helps avoiding fiber balling during mixing and ensures a homogeneous distribution of fibers throughout the concrete mix.

The high performant strength

Dramix® 3D Premium is a high performant fiber to create optimal ductility in high strength concrete.

Bekaert Bekaert construction support

You can count on our support for each step of your project, from concept design to on-site quality support. Our services include recommendations on slab design, construction detailing, concrete optimization and automatic total quality control procedures. We are also happy to share our knowledge with you and your team.

Feel free to ask us for a workshop or training on the topic of steel fiber reinforcement in your offices.

For recommendations on handling, dosing and mixing visit www.bekaert.com/dosingdramix. Any other specific document or certificate can be found on www.bekaert.com/dramix/downloads.