

Aspect ratio

Length

Bright

Glued

Premium



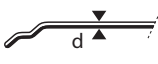
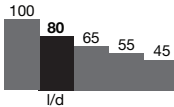
**DATASHEET**

**Characteristics**

**Material properties**

Nom. tensile strength: 319.083024 ksi (2200 MPa)  
 Young's modulus: 29000 ksi (200000 MPa)  
 Strain at ultimate strength: 0.8 %

**Geometry**

Fiber family **4D**   
 Length (l) 2.3622 in. (60 mm)   
 Diameter (d) 0.029528 in. (0.75 mm)   
 Aspect ratio (l/d) 80 

**Minimum EN 14889-1 dosage**

17 lb/yd<sup>3</sup> (10 kg/m<sup>3</sup>)

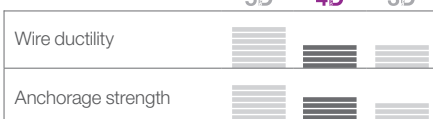
**Fiber network**

7221 ft/yd<sup>3</sup> at 17 lb/yd<sup>3</sup> (2879) m/m<sup>3</sup> at 10 kg/m<sup>3</sup>  
 2106 fibers/lb (4644 fibers/kg)

**Dramix® family**

3D Typical SFRC applications  
 4D Supreme serviceability control  
 5D Advanced structural applications

Tensile strength



**Product certificates \***



\* Product certificates are plant specific.

**Product conformity**

Dramix® conforms to ASTM A820, EN 14889-1 and ISO 13270 Class A.

**System certificates**



All Dramix® plants are ISO 9001 and ISO 14001 certified.

**Packaging**



**BAGS**  
44 lb (20 kg)



**BIG BAG**  
2,420 lb (1,100 kg)

**Handling**



**DRAMIX® 4D 80/60BGP**

**Optimized anchorage**

Dramix® 4D provides optimal crack control for standard statically indeterminate concrete structures that are submitted to regular static, fatigue and dynamic loadings with high serviceability requirements.

**Glue technology for three-dimensional reinforcement**

Dramix® steel fibers are bundled with water-soluble glue. The glue helps avoiding fiber balling during mixing and ensures a homogeneous distribution of fibers throughout the concrete mix.

**The high performant strength**

Dramix® 4D Premium is a high performant fiber to create optimal ductility in high strength concrete.

**Bekaert Bekaert construction support**

You can count on our support for each step of your project, from concept design to on-site quality support. Our services include recommendations on slab design, construction detailing, concrete optimization and automatic total quality control procedures. We are also happy to share our knowledge with you and your team.

Feel free to ask us for a workshop or training on the topic of steel fiber reinforcement in your offices.

For recommendations on handling, dosing and mixing visit [www.bekaert.com/dosingdramix](http://www.bekaert.com/dosingdramix). Any other specific document or certificate can be found on [www.bekaert.com/dramix/downloads](http://www.bekaert.com/dramix/downloads).